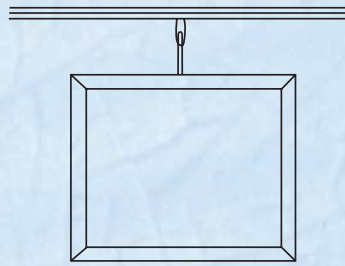


FRENCH GALLERY ROD

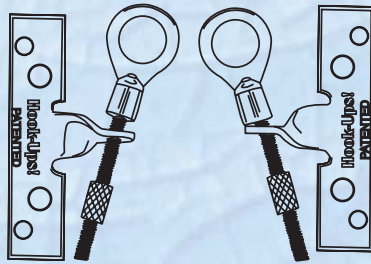


These hanging rods perfectly match the old S&W/Record brand which is no longer available, so if you thought you lost your source for gallery rods, don't worry, we have them!

Use J rods with the J molding (comes in silver or brass). Use OG rods with OG molding (comes unfinished). Each rod includes one hanger and can be used with a minimum weight of 5 lbs. and a maximum of 35 lbs. Please allow 2 to 3 weeks for delivery of rods.

Item No.	Description	Price
FGR-JMB	6' L, J molding brass	\$15.00 ea.
FGR-JRB	up to 6'L, J rods brass	\$240.00 doz.
FGR-OGB	up to 6'L, OG rods brass	\$240.00 doz.
FGR-H	additional hangers brass	\$9.75 ea.
FGR-OGM	per foot, molding wood/unfinished	\$2.50 ea.

HOOK UPS



Hook-Ups are adjustable picture hangers that work on wood or metal frames. They attach to each side of the frame to form a secure, wireless, 2 point mounting system that will safely hold up to 100 lbs. The patented design allows artwork to be easily leveled with the touch of a finger without removing the item from the wall. The HUS-200 and 300 are for security installations. The HUS-200 uses a T-screw as the locking device. The HUS-300 uses standard wall fasteners. HU-100 shown is for conventional hanging.

Item No.	Description	Price
HU-100	per pair silver	\$3.25 ea.
HUS-200	per pair silver	\$3.75 ea.
HUS-300	per pair silver	\$3.75 ea.

BRASS WALL HOOK



These high quality brass plated picture hangers are easy to use and designed for many styles of walls. Hardened steel pins resist bending when nailed in.

Item No.	Description	Price
BWH-10	4 per pack holds 10 lb.	\$1.50 ea.
BWH-30	3 per pack holds 30 lb.	\$1.50 ea.
BWH-50	2 per pack holds 50 lb.	\$1.50 ea.
BWH-100	1 per pack holds 100 lb.	\$1.50 ea.
BWH-NO	8 per pack nails only	\$1.50 ea.

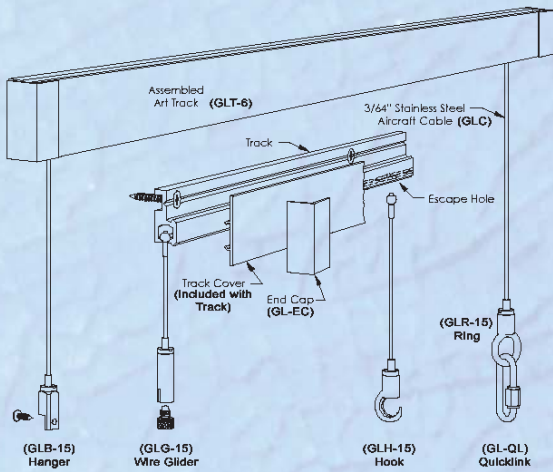
MOLDING HOOK



Use with wood picture hanging molding.

Item No.	Description	Price
MH-1926	.1875"	.75 ea.

GRIPLOCK



The Griplock Glider is a unique, self-locking, adjustable suspension device, offering instant and precise height adjustability along the length of a stainless steel cable. The gliders come in three basic formats: the hanger, the hook, and the ring. Each format comes in two sizes. The gliders attach to the stainless steel cables using a three ball mechanism. By depressing the small plunger, the glider slides easily up and down the length of the cable yet locks solid when the plunger is released.

The track comes in 6' lengths of extruded aluminum, powder coated white, but it may be painted to match existing wall color. It gets connected to the wall by a series of preinstalled clips. The single shank ball runs freely along its length. Tracks can be mounted in series using track connectors. Cables can be added and removed from the system via "escape holes" in each track. When correctly installed the track can suspend 50 lbs from each cable location. The cable is .048" 49 strand stainless steel aircraft cable with a break weight of about 175 lbs when used with this system. Cables are fuse cut on end to prevent fraying and have a single shank ball swagged onto the other end. Working Loads: 65 lbs

Item No.	Description	Price
GLT-6	80" long, hanging track	\$26.00 ea.
GLB-15	1.25" small hanger	\$7.00 ea.
GLB-18	1.5" large hanger	\$7.50 ea.
GLH-15	1.25" small hook	\$7.00 ea.
GLH-18	1.5" large hook	\$7.50 ea.
GLR-15	1.25" small ring	\$7.00 ea.
GLR-18	1.5" large ring	\$7.50 ea.
GLG-15	wire glider	\$7.50 ea.
GLC-3	3' cable	\$3.50 ea.
GLC-4	4' cable	\$3.75 ea.
GLC-5	5' cable	\$4.00 ea.
GLC-6	6' cable	\$4.25 ea.
GLC-7	7' cable	\$4.50 ea.
GLC-8	8' cable	\$4.75 ea.
GLC-10	10' cable	\$5.25 ea.
GLC-15	15' cable	\$6.25 ea.
GL-EP	1.25" end plugs - pair	\$5.00 ea.
GLCM-10	1" ceiling mount	\$5.75 ea.
GLCM-30	.75" ceiling mount	\$6.50 ea.
GL-QL	quick link	\$2.00 ea.

"Our team thinks your site is one of the best in its field!"
 - CHAD BLAIN, AMAZINGPLACE.COM